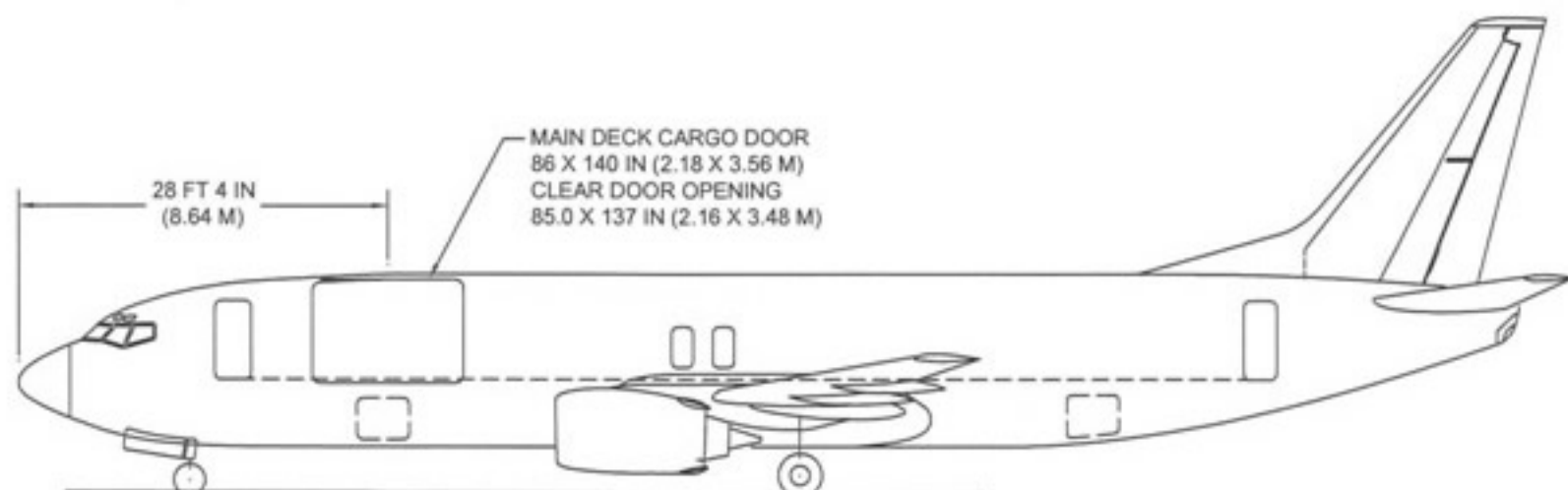


B737-400F

LOAD LIMITATIONS – ULD & CARGO



Main Deck Cargo Compartment Position (Alternate Position Identification)

	M1	M2	M3	M4	M5	M6	M7	M8	P11(K)
Position Weight	6,500LB	6,500LB	6,500LB	8,000LB	8,000LB	5,700LB	6,500LB	6,500LB	
Limit-96x125 ULD	(2,948Kg)	(2,948Kg)	(2,948Kg)	(3,628Kg)	(3,628Kg)	(2,585Kg)	(2,948Kg)	(2,948Kg)	

Main Deck Cargo Door : 86 x 140 IN (2.18 x 3.56M) => Clear Door Opening : 85 x 137 IN (2.16 x 3.48M)

Position 1-8 : 96 x 125 IN Pallet (244 x 318cm), 13.5CBM

Max weight per position :
 Position 1, 2, 3 : 2,948Kg
 Position 4, 5 : 3,628Kg
 Position 6 : 2,585Kg
 Position 7, 8 : 2,948Kg

Position 9 : LD3 Container 60.4 x 61.5 IN (1.53 x 1.56M), 4CBM

Lower Deck Cargo Door : 120 Cm X 86 Cm

Max Weight Per Position :	B1	1245 Kg (5.8 CBM)
	B2	2059 Kg (11.04 CBM)
	B3	3062 Kg (15.57 CBM)
	B4	1125 Kg (6.12 CBM)